

GE Healthcare

“Finally!”

Brivo XR115

A 100mA, 200kHz, easy-to-use X-ray



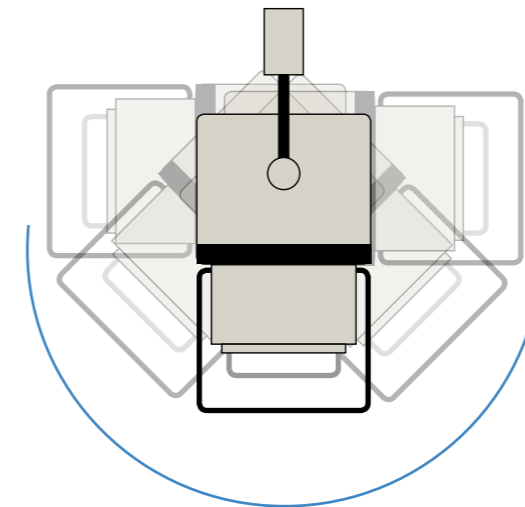
imagination at work

“Fantastic!”

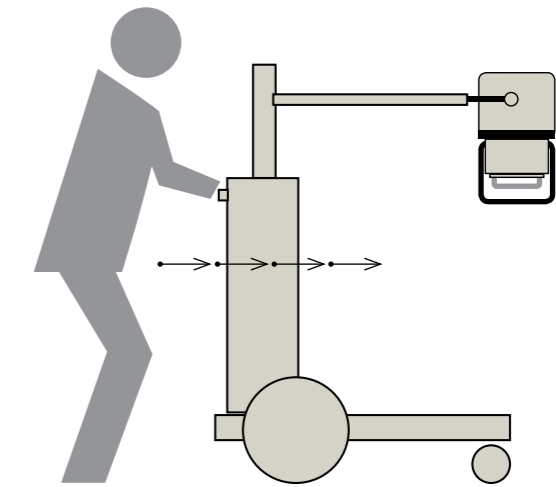
“Superb!”



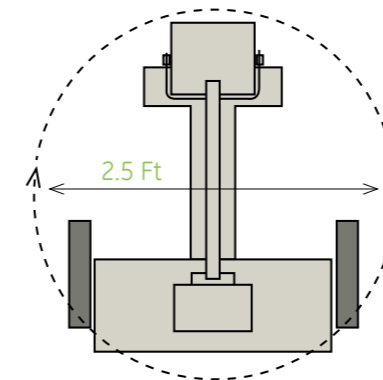
An **easy-to-use** X-ray



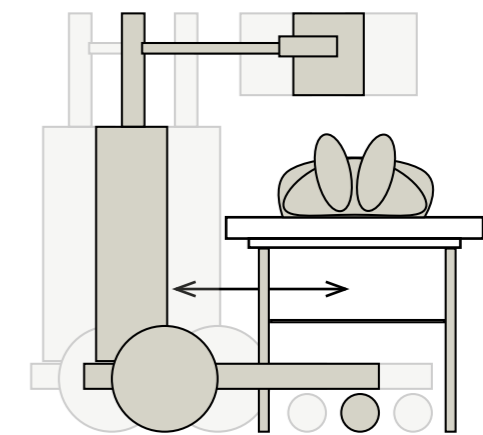
180° rotation



Light, therefore easy to move



Minimum footprint



Easy sliding for convenience

A 100mA X-ray

that promises **great imaging** across anatomies

It is also **40% faster!**

This translates to:

- Shorter breath hold
- Lesser patient movement
- Great image quality
- Better patient comfort

Brivo XR115 helps you easily manage tough cases, such as when your patient is obese or breathless, and in trauma or pediatric cases where uncontrolled patient movement is common.

*6mAs= 60mA x 0.1 sec
*6mAs= 100mA x 0.06 sec

Brivo XR115 is a well-designed and low-maintenance equipment:

- A less than 2kgf push force – 50% easier to move than most other models in the market
- A 10% smaller footprint than most other models in the market – convenience in narrow spaces
- A weight of less than 120kg – one of the lightest models in the market
- A unique mechanical design for ease-of-use and quicker exams with better SID accuracy

“Awesome!”

A 200kHz X-ray for great imaging and **efficient dosage**

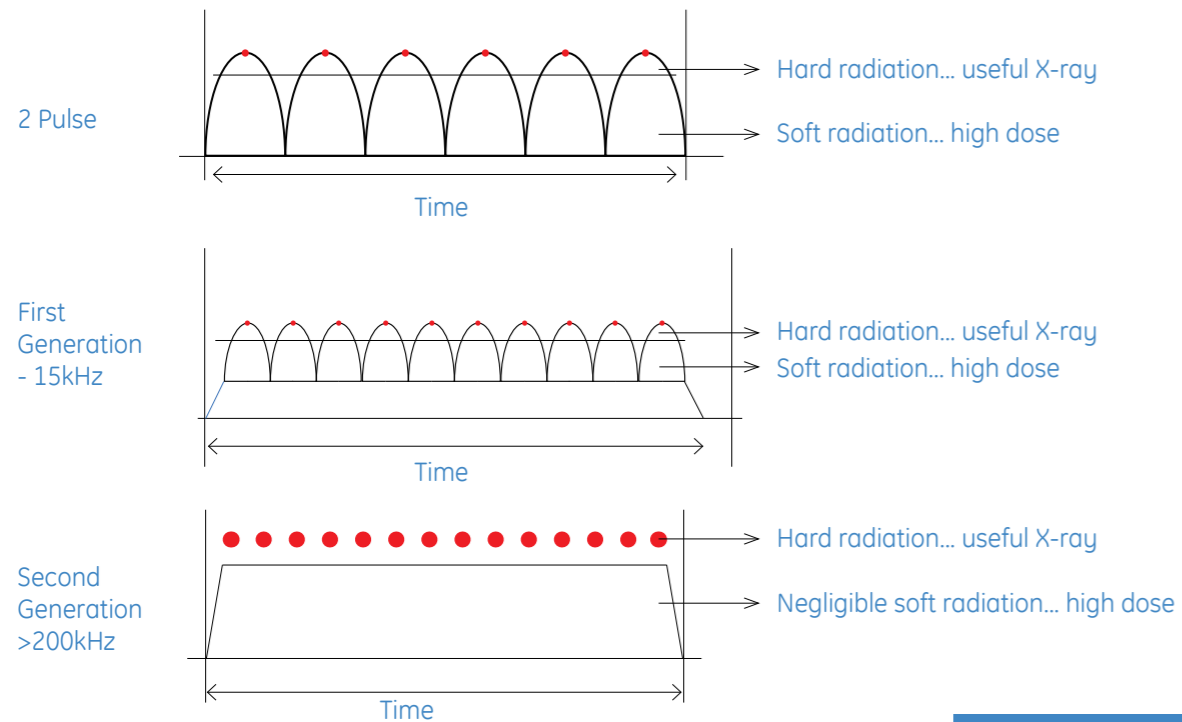
This results in:

- Uniform and useful radiation
- Better image quality
- Low scatter radiation
- Focus on patient and technician/physician dose reduction

The Brivo XR115 200kHz generator is so fast that the X-ray emission is extremely uniform with an efficient X-ray spectrum!



Ultra-high frequency
Lesser unwanted radiation



200kHz benefits
More efficient X-ray
Consistent IQ

“Wow!”

An X-ray that is **ergonomically designed** for added safety

Cassette cabinet



Accessories holder



Two-sided brakes



Ergonomic handles

Brivo XR115

is designed ergonomically for safety, comfort and aesthetics:

- Rounded edges and internal cabling
- Minimal pinch points and a ‘clean’ look
- Ergonomically designed and positioned user touch points (handles, angulated console, or closed cassette cabinet) for greater comfort
- An accessories holder for pens, strips or tapes



“Thank God!”

An X-ray that brings you complete
peace of mind



About GE Healthcare

GE Healthcare provides transformational medical technologies and services that are shaping a new age of patient care. Our broad expertise in medical imaging and information technologies, medical diagnostics, patient monitoring systems, drug discovery, biopharmaceutical manufacturing technologies, performance improvement and performance solutions services help our customers to deliver better care to more people around the world at a lower cost. In addition, we partner with healthcare leaders, striving to leverage the global policy change necessary to implement a successful shift to sustainable healthcare systems.

Our “healthymagination” vision for the future invites the world to join us on our journey as we continuously develop innovations focused on reducing costs, increasing access and improving quality around the world. Headquartered in the United Kingdom, GE Healthcare is a unit of General Electric Company (NYSE: GE). Worldwide, GE Healthcare employees are committed to serving healthcare professionals and their patients in more than 100 countries. For more information about GE Healthcare, visit our website at www.gehealthcare.com.

GE Healthcare India
4, Kadugodi Industrial Area,
Bangalore 560 067, India
www.gehealthcare.com

© 2012 General Electric Company - All rights reserved.

GE Medical Systems Ultrasound & Primary Care Diagnostics, LLC,
a General Electric company, doing business as GE Healthcare.

General Electric Company reserves the right to make changes in specifications and features shown herein. Or discontinue the product described at any time without notice or obligation. Contact your GE representative for the most current information.

GE, GE Monogram and Brivo are trademarks of General Electric Company.



imagination at work